

Amigo

Surface Mounted, Bulkhead



A range of exterior IP65 amenity luminaires, suitable for use around buildings to provide lighting to footpaths and general security.

Black visor to reduce light pollution

Polycarbonate vandal resistant prism lens

Easy access to control gear and lamp

Photocell control available

50,000 hours life

HILCLARE

LIGHTING MANUFACTURER

— LED BY DESIGN —

a  pilot group company

T: 0161 274 3626
F: 0161 274 3731
E: sales@hilclare.com

15 Carnarvon Street
Manchester
M3 1HJ

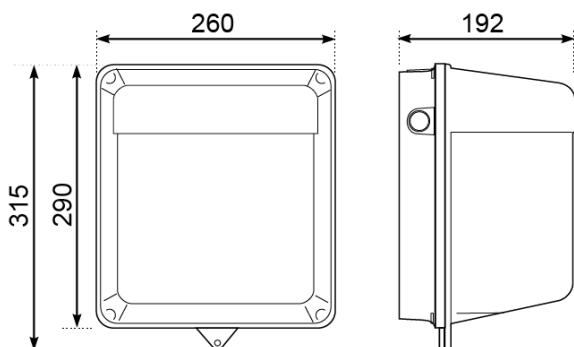
Ordering Information

	Code	Weight (kg)	Total Watts	Total Lumens	Luminaire Efficacy	IP Rating	Life	Warranty
17W	WLA17T440	2.15	17	1629	90	IP65	30,000	3 year
23W	WLA23T440	2.15	23	1855	79	IP65	50,000	5 year

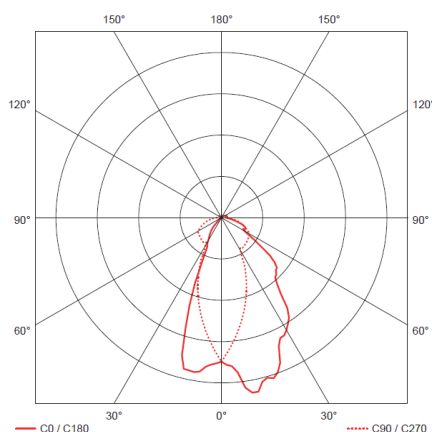
Code Builder

Emergency – Add EM
 Self-test emergency – Add STEM
 Photocell – Add P

Dimensions



Photometrics



Classification of Protection

Against electric shock Class 1 protected with earthed gear tray & reflector. Against ingress of dust and moisture IP65 Technical Specification.

Specification

A range of exterior IP65 amenity luminaires, suitable for use around buildings to provide lighting to footpaths and general security.

Standards

The Amigo range of luminaires is designed and manufactured to meet the requirements of BSEN 60598 2-1.

Operations

Designed for operation in an exterior environment. Ambient temperature range: 0°C to +25°C for emergency and LED versions. 230V 50Hz nominal input voltage.

Version 1.1 November 2020

HILCLARE
 LIGHTING MANUFACTURER
 — LED BY DESIGN —

a pilot group company

T: 0161 274 3626
 F: 0161 274 3731
 E: sales@hilclare.com

15 Carnarvon Street
 Manchester
 M3 1HJ

E&OE