

NEW

HILCLARE

LIGHTING MANUFACTURER

— LED BY DESIGN —

Hado

UFO High Bay

240W IP65 LED Luminaire with up to 136 lm/W



Low Cost & Economical

Hado UFO high bay product range is designed for use in industrial facilities, warehouses, factories, supermarkets, exhibition halls and more.

Key Features

- ✓ Efficacy up to 136 lm/W
- ✓ Available in 150/ 200/ 240 W
- ✓ Lumen outputs up to 20,374/ 27,400/ 32,640
- ✓ Lumileds LEDs
- ✓ CRI >80
- ✓ Lifetime 50,000 hours
- ✓ IP65
- ✓ IK08
- ✓ 60, 90 and 120 degree lens options
- ✓ Surface mounting bracket available
- ✓ 80 cm cable for easier install
- ✓ Safety lanyard
- ✓ 5 year warranty
- ✓ PIR sensor available

Part Codes

HH240LED4060

*ADD PIR at the end of code - Kit including PIR sensor and surface mounting bracket

HH240LED4090

HH240LED40120

*ADD PIRS at the end of code - Kit including PIR sensor and suspension mounting bracket



Version 2

15 Carnarvon Street
Manchester M3 1HJ

+44 (0) 161 274 3626

sales@hilclare.com

www.hilclare.com

Hilclare a  pilot group company

Hado 240 W

UFO High Bay

HILCLARE

LIGHTING MANUFACTURER

— LED BY DESIGN —

Part Code
Warranty

HH240LED4060
5 year

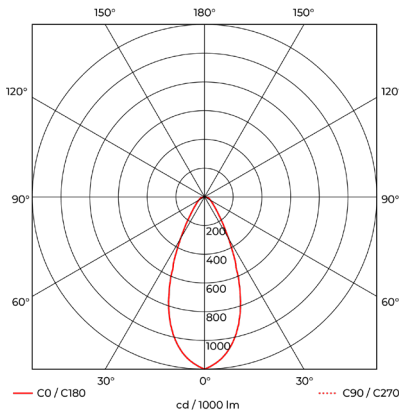
HH240LED4090
5 year

HH240LED40120
5 year

Photometric

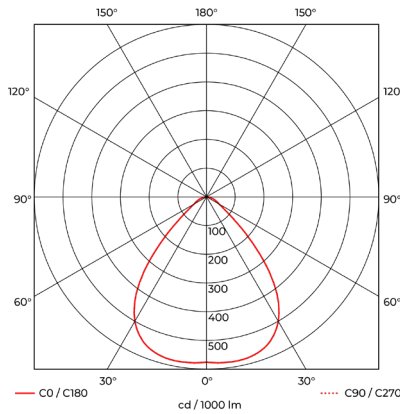
Lens Angle	60°	90°	120°
Luminaire Lumens	32,640 lm	32,608 lm	32,255 lm
Luminaire Efficacy	136 lm/W	136 lm/W	134 lm/W
Colour Temperature	4,000K	4,000K	4,000K
Colour Rendering Index (CRI)	80	80	80
Light Source	LED	LED	LED
Lumen Maintenance	L80 / B10	L80 / B10	L80 / B10
Maintained LED Life	50,000 hr	50,000 hr	50,000 hr

High and Low Bay



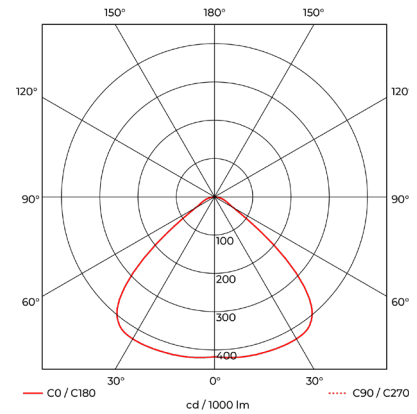
HH240LED4060

60°



HH240LED4090

90°



HH240LED40120

120°

Environment

Ingress Protection (From Front)	IP65
Ingress Protection (From Rear)	IP65
Impact Protection Rating (IK)	IK08
Application	Interior
Ambient Rated Temp. (Min.)	-30°C
Ambient Rated Temp. (Max.)	+50°C



Version 2

15 Carnarvon Street
Manchester M3 1HJ



+44 (0) 161 274 3626



sales@hilclare.com

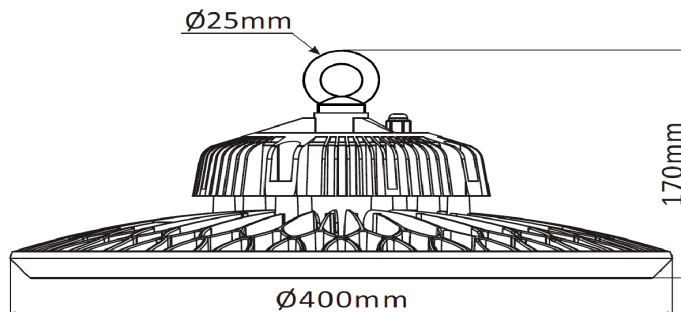
www.hilclare.com

Hilclare a pilot group company

Electrical

	HH240LED4060	HH240LED4090	HH240LED40120
Total Circuit Power	240.0 W	240.0 W	240.0 W
Input Voltage	100 - 277 VAC	100 - 277 VAC	100 - 277 VAC
Input Frequency	50/60 Hz	50/60 Hz	50/60 Hz
Input Current	1.09 A	1.09 A	1.09 A
Typ. LED Power	236.3 W	236.3 W	236.3 W
Power Factor	0.99	0.99	0.99
Electrical Class	I	I	I
Energy Efficiency Rating	A++	A++	A++

Dimensions



Physical

Warranty	5 Year
Housing Material	Aluminium
Housing Colour	Black
Length	400 mm
Width	400 mm
Height	170 mm
Lens Material	Polycarbonate
Weight	6.30 Kg
Mounting Method	Suspension, Surface
Accessories	Surface mounting kit (HHSMB)



Version 2

15 Carnarvon Street
Manchester M3 1HJ

+44 (0) 161 274 3626

sales@hilclare.com

www.hilclare.com

Accessory

Sensor specification:

PIR, presence detector, time delay: 10s–99m, IP65, ground breaking detection range up to 40m at a 15m mounting height.

When ordering PIR kit Hado product will be supplied with pre-assembled bracket and sensor, ready to install.



Version 2

15 Carnarvon Street
Manchester M3 1HJ

 +44 (0) 161 274 3626

 sales@hilclare.com

www.hilclare.com