

NEW

HILCLARE

LIGHTING MANUFACTURER

— LED BY DESIGN —

Hado

UFO High Bay

200W IP65 LED Luminaire with up to 137 lm/W



Low Cost & Economical

Hado UFO high bay product range is designed for use in industrial facilities, warehouses, factories, supermarkets, exhibition halls and more.

Key Features

- ✓ Efficacy up to 137 lm/W
- ✓ Available in 150/ 200/ 240 W
- ✓ Lumen outputs up to 20,374/ 27,400/ 32,640
- ✓ Lumileds LEDs
- ✓ CRI >80
- ✓ Lifetime 50,000 hours
- ✓ IP65
- ✓ IK08
- ✓ 60, 90 and 120 degree lens options
- ✓ Surface mounting bracket available
- ✓ 80 cm cable for easier install
- ✓ Safety lanyard
- ✓ 5 year warranty
- ✓ PIR sensor available

Part Codes

HH200LED4060

*ADD PIR at the end of code - Kit including PIR sensor and surface mounting bracket

HH200LED4090

*ADD PIRS at the end of code - Kit including PIR sensor and suspension mounting bracket

HH200LED40120



Version 2

15 Carnarvon Street
Manchester M3 1HJ



+44 (0) 161 274 3626



sales@hilclare.com

www.hilclare.com

Hilclare a  pilot group company

Hado 200 W

UFO High Bay

HILCLARE

LIGHTING MANUFACTURER

— LED BY DESIGN —

High and Low Bay

Part Code
Warranty

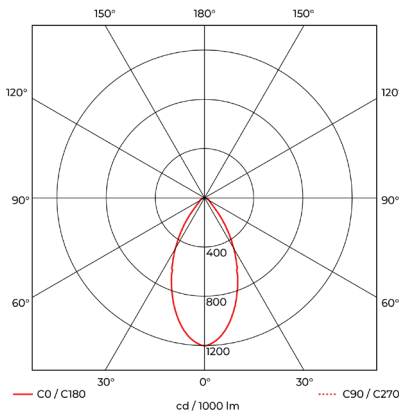
HH200LED4060
5 year

HH200LED4090
5 year

HH200LED40120
5 year

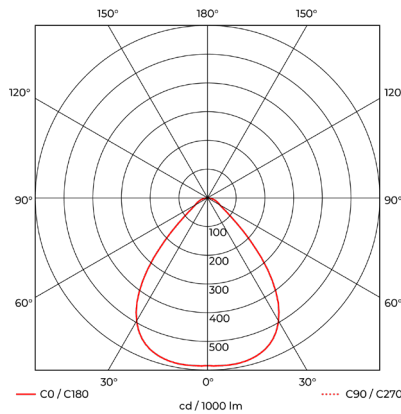
Photometric

Lens Angle	60°	90°	120°
Luminaire Lumens	26,677 lm	27,400 lm	26,933 lm
Luminaire Efficacy	133 lm/W	137 lm/W	135 lm/W
Colour Temperature	4,000K	4,000K	4,000K
Colour Rendering Index (CRI)	80	80	80
Light Source	LED	LED	LED
Lumen Maintenance	L80 / B10	L80 / B10	L80 / B10
Maintained LED Life	50,000 hr	50,000 hr	50,000 hr



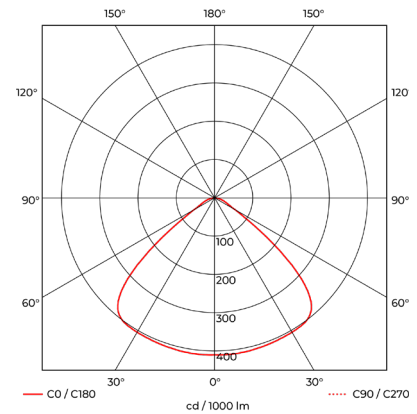
HH200LED4060

60°



HH200LED4090

90°



HH150LED40120

120°

Environment

Ingress Protection (From Front)	IP65
Ingress Protection (From Rear)	IP65
Impact Protection Rating (IK)	IK08
Application	Interior
Ambient Rated Temp. (Min.)	-30°C
Ambient Rated Temp. (Max.)	+50°C



Version 2

15 Carnarvon Street
Manchester M3 1HJ



+44 (0) 161 274 3626



sales@hilclare.com

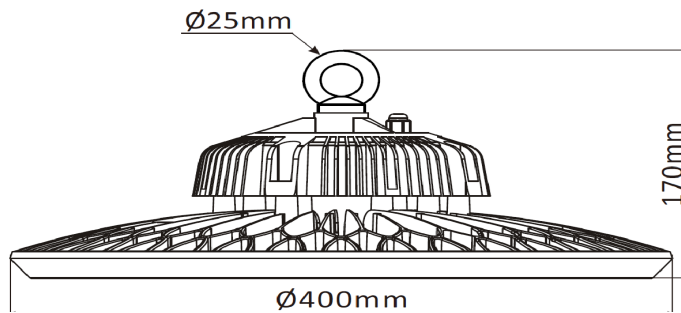
www.hilclare.com

Hilclare a pilot group company

Electrical

	HH200LED4060	HH200LED4090	HH200LED40120
Total Circuit Power	200.0 W	200.0 W	200.0 W
Input Voltage	100 - 277 VAC	100 - 277 VAC	100 - 277 VAC
Input Frequency	50/60 Hz	50/60 Hz	50/60 Hz
Input Current	0.90A	0.90A	0.90A
Typ. LED Power	195.0 W	195.0 W	195.0 W
Power Factor	0.99	0.99	0.99
Electrical Class	I	I	I
Energy Efficiency Rating	A++	A++	A++

Dimensions



Physical

Warranty	5 Year
Housing Material	Aluminium
Housing Colour	Black
Length	400 mm
Width	400 mm
Height	170 mm
Lens Material	Polycarbonate
Weight	5.50 Kg
Mounting Method	Suspension, Surface
Accessories	Surface mounting kit (HHSMB)



Version 2

15 Carnarvon Street
Manchester M3 1HJ



+44 (0) 161 274 3626



sales@hilclare.com

www.hilclare.com

Accessory

Sensor specification:

PIR, presence detector, time delay: 10s–99m, IP65, ground breaking detection range up to 40m at a 15m mounting height.

When ordering PIR kit Hado product will be supplied with pre-assembled bracket and sensor, ready to install.



Version 2

15 Carnarvon Street
Manchester M3 1HJ

 +44 (0) 161 274 3626

 sales@hilclare.com

www.hilclare.com