

NEW

HILCLARE

LIGHTING MANUFACTURER

— LED BY DESIGN —

Hado

UFO High Bay

150W IP65 LED Luminaire with up to 136 lm/W



Low Cost & Economical

Hado UFO high bay product range is designed for use in industrial facilities, warehouses, factories, supermarkets, exhibition halls and more.

Key Features

- ✓ Efficacy up to 136lm/W
- ✓ Available in 150/ 200/ 240 W
- ✓ Lumen outputs up to 20,374/ 27,400/ 32,640
- ✓ Lumileds LEDs
- ✓ CRI >80
- ✓ Lifetime 50,000 hours
- ✓ IP65
- ✓ IK08
- ✓ 60, 90 and 120 degree lens options
- ✓ Surface mounting bracket available
- ✓ 80 cm cable for easier install
- ✓ Safety lanyard
- ✓ 5 year warranty
- ✓ PIR sensor available

Part Codes

HH150LED4060

*ADD PIR at the end of code - Kit including PIR sensor and surface mounting bracket

HH150LED4090

*ADD PIRS at the end of code - Kit including PIR sensor and suspension mounting bracket

HH150LED40120



Version 2

15 Carnarvon Street
Manchester M3 1HJ



+44 (0) 161 274 3626



sales@hilclare.com

www.hilclare.com

Hilclare a  pilot group company

Hado 150 W

UFO High Bay

HILCLARE

LIGHTING MANUFACTURER

— LED BY DESIGN —

Part Code
Warranty

HH150LED4060
5 year

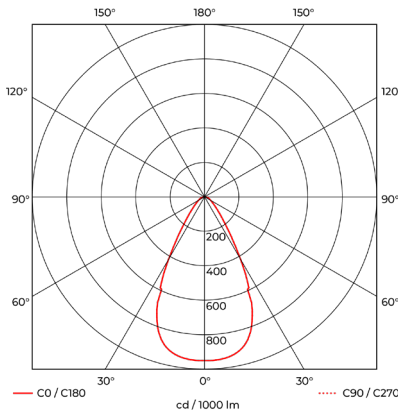
HH150LED4090
5 year

HH150LED40120
5 year

Photometric

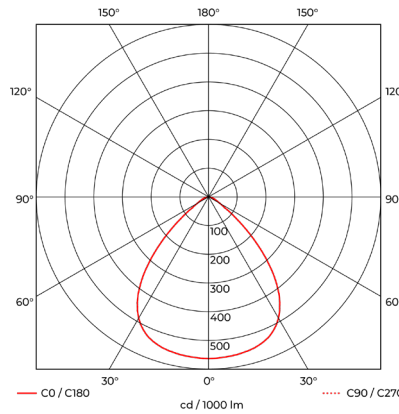
Lens Angle	60°	90°	120°
Luminaire Lumens	20,354 lm	20,374 lm	20,105 lm
Luminaire Efficacy	136 lm/W	136 lm/W	134 lm/W
Colour Temperature	4,000K	4,000K	4,000K
Colour Rendering Index (CRI)	80	80	80
Light Source	LED	LED	LED
Lumen Maintenance	L80 / B10	L80 / B10	L80 / B10
Maintained LED Life	50,000 hr	50,000 hr	50,000 hr

High and Low Bay



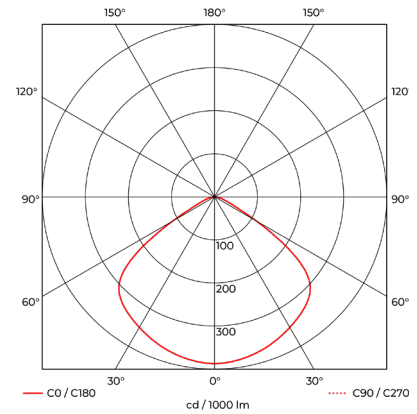
HH150LED4060

60°



HH150LED4090

90°



HH150LED40120

120°

Environment

Ingress Protection (From Front)	IP65
Ingress Protection (From Rear)	IP65
Impact Protection Rating (IK)	IK08
Application	Interior
Ambient Rated Temp. (Min.)	-30°C
Ambient Rated Temp. (Max.)	+50°C



Version 2

15 Carnarvon Street
Manchester M3 1HJ

+44 (0) 161 274 3626

sales@hilclare.com

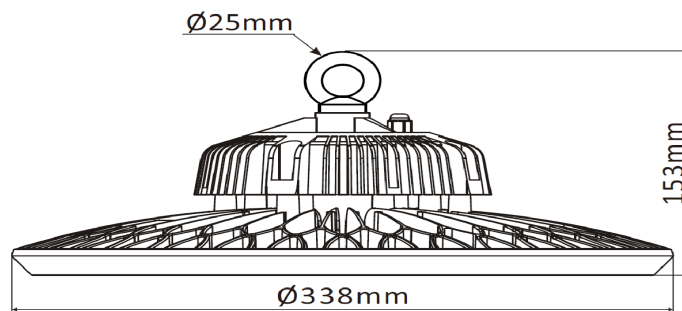
www.hilclare.com

Hilclare a pilot group company

Electrical

	HH150LED4060	HH150LED4090	HH150LED40120
Total Circuit Power	150.0 W	150.0 W	150.0 W
Input Voltage	100 - 277 VAC	100 - 277 VAC	100 - 277 VAC
Input Frequency	50/60 Hz	50/60 Hz	50/60 Hz
Input Current	0.69A	0.69A	0.69A
Typ. LED Power	148.0 W	148.0 W	148.0 W
Power Factor	0.98	0.98	0.98
Electrical Class	I	I	I
Energy Efficiency Rating	A++	A++	A++

Dimensions



Physical

Warranty	5 Year
Housing Material	Aluminium
Housing Colour	Black
Length	338 mm
Width	338 mm
Height	153 mm
Lens Material	Polycarbonate
Weight	4 Kg
Mounting Method	Suspension, Surface
Accessories	Surface mounting kit (HHSMB)



Version 2

15 Carnarvon Street
Manchester M3 1HJ

+44 (0) 161 274 3626

sales@hilclare.com

www.hilclare.com

Accessory

Sensor specification:

PIR, presence detector, time delay: 10s–99m, IP65, ground breaking detection range up to 40m at a 15m mounting height.

When ordering PIR kit Hado product will be supplied with pre-assembled bracket and sensor, ready to install.



Version 2

15 Carnarvon Street
Manchester M3 1HJ

 +44 (0) 161 274 3626

 sales@hilclare.com

www.hilclare.com