

Sancha

Street Light



A range of IP66 road, path and area lanterns incorporating multiple LED clusters and glass optical lens systems. Constructed from an aluminium ADC12 alloy body and gear cover with either a light grey or black powder coated finish, the luminaires are strong and lightweight and very stable in operation. Suitable for use in car parks, many access and larger roads, local and urban street lighting situations.

High luminaire efficacy up to 126 l/m/W

Self-cleaning design

IP66 weatherproof

Post top and side entry +/- 15°

100,000 hours life

HILCLARE

LIGHTING MANUFACTURER

— LED BY DESIGN —

a  pilot group company

T: 0161 274 3626
F: 0161 274 3731
E: sales@hilclare.com

15 Carnarvon Street
Manchester
M3 1HJ

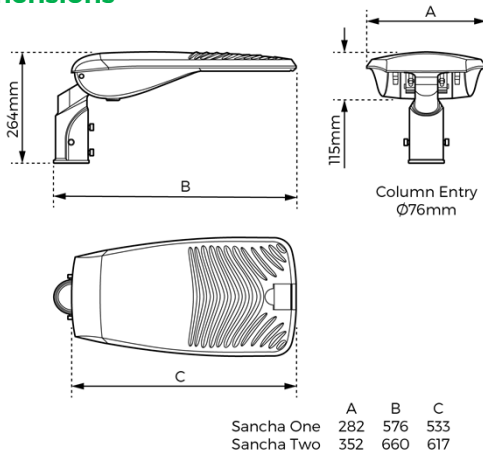
Ordering Information

	Code	Weight (Kg)	Total Watts	Total Lumens	Luminaire Efficacy	IP Rating	Life	Warranty
22W	RL1S22G4D17	6.4	22	3170	122	IP66	100,000hr	12 year
26W	RL1S26G4D17	6.4	26	3700	123	IP66	100,000hr	12 year
46W	RL1S46G4D17	6.4	46	6200	119	IP66	100,000hr	12 year
69W	RL1S69G4D17	6.4	69	8300	118	IP66	100,000hr	12 year
87W	RL1S87G4D17	6.4	87	10000	111	IP66	100,000hr	12 year
81W	RL2S81G4D17	8.2	81	11450	125	IP66	100,000hr	12 year
109W	RL2S109G4D17	8.2	109	15300	126	IP66	100,000hr	12 year
132W	RL2S132G4D17	8.2	132	18400	124	IP66	100,000hr	12 year
171W	RL2S171G4D17	8.2	171	21100	119	IP66	100,000hr	12 year

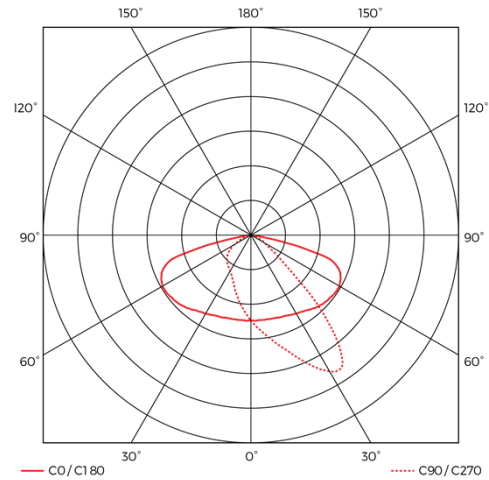
Code Builder

Dimmable - Add DA
 Photocell - Add P
 Black - Change G to B
 Prewired cable options available on request
 Ø60mm Column entry option available on request.

Dimensions



Photometrics



Classification of Protection

Against electric shock Class I protected with earthed metalwork. Against ingress of dust and moisture IP66 Technical Specification.

Standards

The Sancha range of luminaires is designed and manufactured to meet the requirements of BSEN 60598 2-1

Operation

Designed for operation in an exterior environment.
 Ambient temperature range:
 -30°C to +40°C.
 230V 50Hz nominal input voltage.

Specification

A range of IP66 road, path and area lanterns incorporating multiple LED clusters and glass optical lens systems. Constructed from an aluminium ADC12 alloy body and gear cover with either a light grey or black powder coated finish, the luminaires are strong and lightweight and very stable in operation. Suitable for use in car parks, many access and larger roads, local and urban street lighting situations.

Version 1.3 December 2018

HILCLARE

LIGHTING MANUFACTURER

— LED BY DESIGN —

a  pilot group company

T: 0161 274 3626
 F: 0161 274 3731
 E: sales@hilclare.com

15 Carnarvon Street
 Manchester
 M3 1HJ

E&OE