

# Isla Advanced

## LED Panel, TP(a), UGR <19



TP(a)  
Compliant



A new range of low profile recessed lay in modular luminaires, suitable for use in many interior applications including offices, hospitals, hotels and retail areas. This model is TP(a) rated and has a glare rating UGR<19.

- UGR<19
- TP(a) rated
- Tridonic driver
- Dimming version & emergency options available
- 50,000 hours life

Recessed LED Panels

# HILCLARE

LIGHTING MANUFACTURER

— LED BY DESIGN —

a  pilot group company

T: 0161 274 3626  
F: 0161 274 3731  
E: [sales@hilclare.com](mailto:sales@hilclare.com)

15 Carnarvon Street  
Manchester  
M3 1HJ

E&OE

### Ordering information

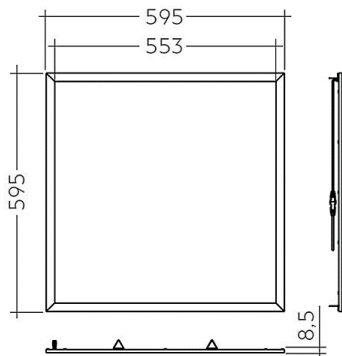
(Luminaire supplied c/w 4000k LED modules & Tridonic driver)

Code	Weight	Total Watts	Luminaire Lumens	Luminaire Efficacy	IP Rating	TP Rating	Life L70/B50	Warranty
REIA3Q640	2.52kg	26.0W	2814lm	108lm/W	IP20	TP(a)	>50,000hr	5 year
REIA4Q640	2.52kg	36.0W	3731lm	104lm/W	IP20	TP(a)	>50,000hr	5 year

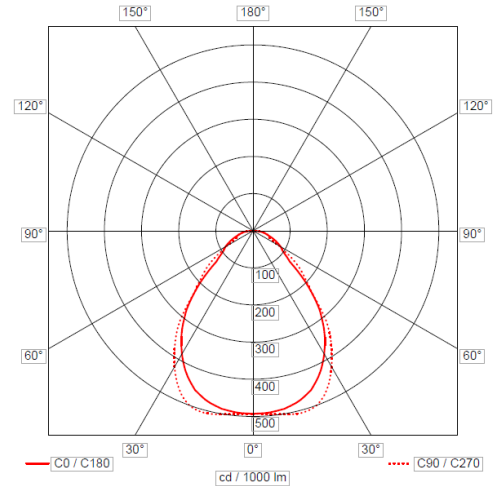
### Code Builder

DALI Dimming option      Add DA  
 Emergency option          Add EM

### Dimensions



### Photometrics



Light Output Ratio:                      Up 0.0 Down 100.0 Total 100.0

### Classification of Protection

Against electric shock Class II protected. Against ingress of dust and moisture IP20 Technical Specification.

### Standards

Against electric shock Class II. Against ingress of dust IP20 Technical Specification.

### Operations

Designed for operation in an interior environment. Ambient temperature range: -20°C to +40°C\*.  
 230-240V 50Hz nominal input voltage.

\*In moisture free environments and for non-emergency

### Specifications

A new range of low profile recessed lay in modular luminaires, suitable for use in many interior applications including offices, hospitals, hotels and retail areas. This model is TP(a) rated and has a glare rating UGR<19.

MacAdam 4

CRI > 80

Energy classification A+

Version 1.2 August 2019

# HILCLARE

**LIGHTING MANUFACTURER**

— LED BY DESIGN —

a  pilot group company

T: 0161 274 3626  
 F: 0161 274 3731  
 E: sales@hilclare.com

15 Carnarvon Street  
 Manchester  
 M3 1HJ

E&OE