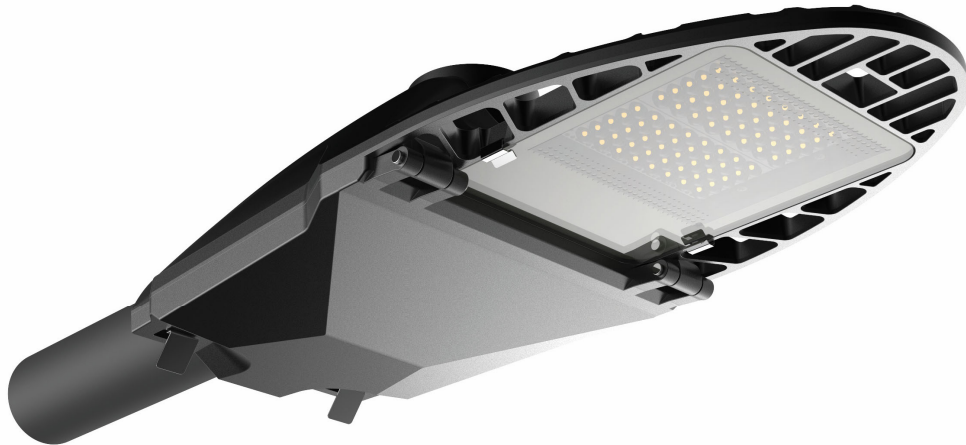


Inca

Street Light



Constructed from a die-cast aluminium body with a grey powder coated finish, the luminaires are strong and lightweight and very stable in operation. Uses computer designed optics which ensures superb results. Suitable for use in most access road and local street lighting situations, including small precincts in towns and villages.

IP65, 230 volts 50Hz - nominal supply

Low profile appearance

No direct light pollution when mounted horizontal

Reliable engine and driver

50,000 hours life

HILCLARE

LIGHTING MANUFACTURER

— LED BY DESIGN —

a  pilot group company

T: 0161 274 3626
F: 0161 274 3731
E: sales@hilclare.com

15 Carnarvon Street
Manchester
M3 1HJ

Ordering Information

	Code	Weight (Kg)	Total Watts	Total Lumens	Luminaire Efficacy	IP Rating	Life	Warranty
	25W RLI25LED40	2.8	25	2496	102	IP65	50,000hr	5 year
	50W RLI50LED40	2.8	50	4667	106	IP65	50,000hr	5 year
	75W RLI75LED40	5.0	75	8090	109	IP65	50,000hr	5 year
	100W RLI100LED40	5.0	100	10288	104	IP65	50,000hr	5 year

Code Builder

Photocell - Add P

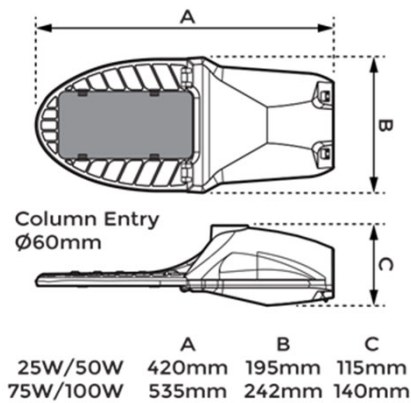
Accessories

Below options for Ø76mm post-top column

Single 300mm outreach bracket with 5° tilt; side entry Ø60mm; RLRO30-60-76-5D

Twin 300mm outreach bracket with 5° tilt; side entry Ø60mm; RLRO30-260-76-5D

Dimensions



Classification of Protection

Against electric shock Class I protected with earthed metalwork. Against ingress of dust and moisture IP65 Technical Specification. Impact rated to IK08

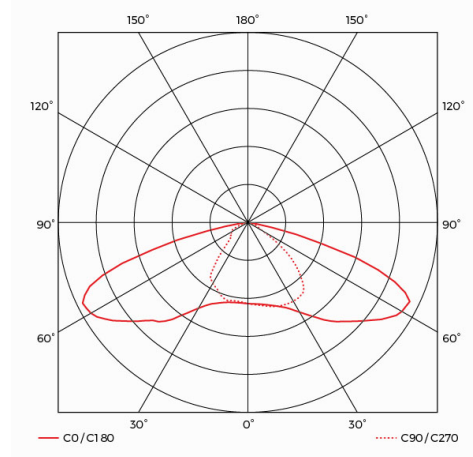
Operations

Designed for operation in an exterior environment. Ambient temperature range:

-20°C to +45°C for all versions.

230V 50Hz nominal input voltage.

Photometrics



Standards

The Inca range of luminaires is designed and manufactured to meet the requirements of BSEN 60598 2-1.

Specification

Constructed from a die-cast aluminium body with a grey powder coated finish, the luminaires are strong and lightweight and very stable in operation. Uses computer designed optics which ensures superb results. Suitable for use in most access road and local street lighting situations, including small precincts in towns and villages.

HILCLARE

LIGHTING MANUFACTURER

— LED BY DESIGN —

a  pilot group company

T: 0161 274 3626
F: 0161 274 3731
E: sales@hilclare.com

15 Carnarvon Street
Manchester
M3 1HJ