

# Alicante

Surface Mounted, Bulkhead, Trim 2



Die-cast aluminium body and trim finished in an attractive black dry powder coat. Comes with a tough opal polycarbonate diffuser. Suitable for interior and exterior sheltered locations.

IP65

Rear Cable Entry

Robust die-cast aluminium body and opal polycarbonate diffuser

50,000 hours life

## HILCLARE

LIGHTING MANUFACTURER

— LED BY DESIGN —

a  pilot group company

T: 0161 274 3626  
F: 0161 274 3731  
E: sales@hilclare.com

15 Carnarvon Street  
Manchester  
M3 1HJ

## Ordering Information

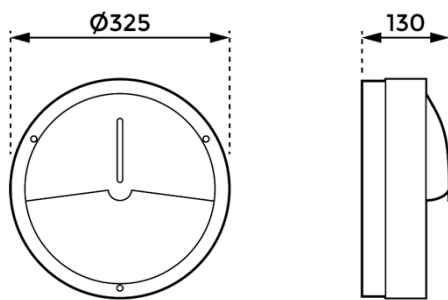
	Code	Weight (kg)	Total Watts	Total Lumens	Luminaire Efficacy	IP Rating	Life	Warranty
13W	DLA132T340	3.48	13	569	38	IP65	50,000hr	5 year
14W	DLA142T340	3.48	14	523	32	IP65	50,000hr	5 year
19W	DLA192T340	3.48	19	790	36	IP65	50,000hr	5 year

## Code Builder

Emergency - Add EM

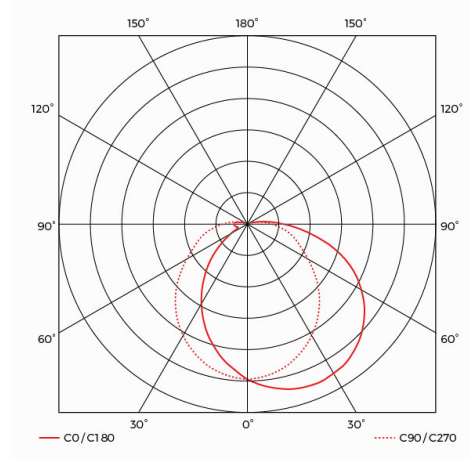
Microwave - Add MS9

## Dimensions



Trim 2 - Eyelid

## Photometrics



## Classification of Protection

Against electric shock Class I protected with earthed metalwork. Against ingress of dust and moisture IP65 Technical Specification.

## Standards

The Alicante range of luminaires is designed and manufactured to meet the requirements of BSEN 60598 2-1

## Operations

Designed for operation in an exterior environment.  
Ambient temperature range:  
0° to +25°C.  
230V 50Hz nominal input voltage.

## Specification

Die-cast aluminium body and trim finished in an attractive black dry powder coat. Comes with a tough opal polycarbonate diffuser. Suitable for interior and exterior sheltered locations.

# HILCLARE

LIGHTING MANUFACTURER

— LED BY DESIGN —

a  pilot group company

T: 0161 274 3626  
F: 0161 274 3731  
E: sales@hilclare.com

15 Carnarvon Street  
Manchester  
M3 1HJ