

Alicante

Surface Mounted, Bulkhead, Trim 1



Surface Lighting Decorative

Die-cast aluminium body and trim finished in an attractive black dry powder coat. Comes with a tough opal polycarbonate diffuser. Suitable for interior and exterior sheltered locations.

IP65

Rear Cable Entry

Robust die-cast aluminium body and opal polycarbonate diffuser

50,000 hours life

HILCLARE

LIGHTING MANUFACTURER

— LED BY DESIGN —

a  pilot group company

T: 0161 274 3626
F: 0161 274 3731
E: sales@hilclare.com

15 Carnarvon Street
Manchester
M3 1HJ

E&OE

Ordering Information

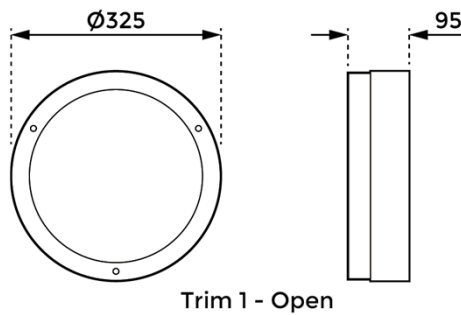
	Code	Weight (kg)	Total Watts	Total Lumens	Luminaire Efficacy	IP Rating	Life	Warranty
13W	DLA131T340	3.08	13	1314	98	IP65	50,000hr	5 year
14W	DLA141T340	3.08	14	1236	88	IP65	50,000hr	5 year
19W	DLA191T340	3.08	19	1824	92	IP65	50,000hr	5 year

Code Builder

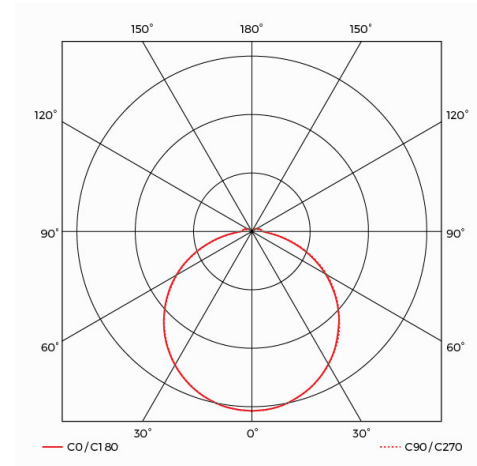
Emergency - Add EM

Microwave - Add MS9

Dimensions



Photometrics



Classification of Protection

Against electric shock Class I protected with earthed metalwork. Against ingress of dust and moisture IP65 Technical Specification.

Standards

The Alicante range of luminaires is designed and manufactured to meet the requirements of BSEN 60598 2-1

Operations

Designed for operation in an exterior environment.
Ambient temperature range:
0° to +25°C.
230V 50Hz nominal input voltage.

Specification

Die-cast aluminium body and trim finished in an attractive black dry powder coat. Comes with a tough opal polycarbonate diffuser. Suitable for interior and exterior sheltered locations.

HILCLARE

LIGHTING MANUFACTURER

— LED BY DESIGN —

a  pilot group company

T: 0161 274 3626
F: 0161 274 3731
E: sales@hilclare.com

15 Carnarvon Street
Manchester
M3 1HJ