

Palma

Surface Mounted, Bulkhead



A robust and versatile luminaire, suitable for security lighting, multi storey car parks, covered walkways, subways and tunnels.

IP54, 240 Volts 50Hz - nominal supply

Robust black die cast aluminium body

UV stabilised clear prismatic polycarbonate diffuser

Emergency available

50,000 hours life

HILCLARE

LIGHTING MANUFACTURER

— LED BY DESIGN —

a  pilot group company

T: 0161 274 3626
F: 0161 274 3731
E: sales@hilclare.com

15 Carnarvon Street
Manchester
M3 1HJ

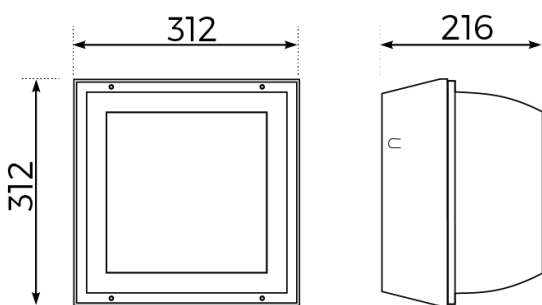
Ordering Information

	Code	Weight (kg)	Total Watts	Total Lumens	Luminaire Efficacy	IP Rating	Life	Warranty
23W	BHP23T440	3.7	23	2410	102	IP54	50,000hr	5 year

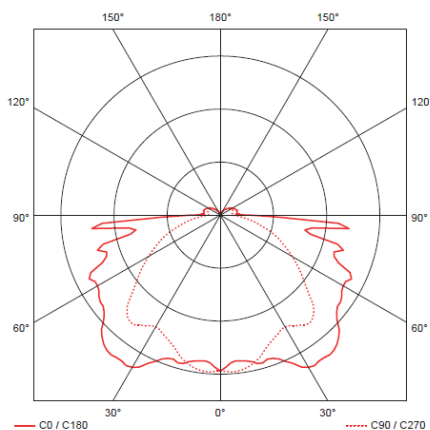
Code Builder

Emergency - Add EM
 Self-test emergency - Add STEM
 Dali/switch dimming - Add DA

Dimensions



Photometrics



Classification of Protection

Against electric shock Class 1 protected with earthed metalwork. Against ingress of dust and moisture IP54 Technical Specification.

Standards

The Palma range of luminaires is designed and manufactured to meet the requirements of BSEN 60598 2-1. Not suitable for mounting on flammable surfaces.

Operations

Designed for operation in an interior environment.

Ambient temperature range:
 0°C to +25°C for LED versions
 230V 50Hz nominal input voltage.

Specification

A robust and versatile luminaire, suitable for security lighting, multi storey car parks, covered walkways, subways and tunnels.

Version 1 October 2018

HILCLARE

LIGHTING MANUFACTURER

— LED BY DESIGN —

a  pilot group company

T: 0161 274 3626
 F: 0161 274 3731
 E: sales@hilclare.com

15 Carnarvon Street
 Manchester
 M3 1HJ

E&OE