

Isla

Performance LED Panel, TP(a)



TP(a)
Compliant

Recessed LED Panels

A new range of low profile recessed lay in modular luminaires, suitable for use in many interior applications including offices, hospitals, hotels and retail areas. This model is TP(a) rated.

596x596mm

IP44

TP(a) rated

Dimming version & emergency options available

50,000 hours life

HILCLARE

LIGHTING MANUFACTURER

— LED BY DESIGN —

a  pilot group company

T: 0161 274 3626
F: 0161 274 3731
E: sales@hilclare.com

15 Carnarvon Street
Manchester
M31HJ

E&OE

Ordering Information

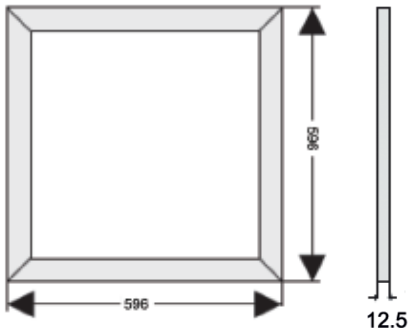
(Luminaires supplied c/w 4000k LED modules & drivers)

Code	Weight (kg)	Total Watts	Total Lumens	Luminaire Efficacy	IP Rating	TP Rating	Life	Warranty
36W PIP3640TPA	3.20	36	3312	92	IP44	TP(a)	50,000hr	5 year

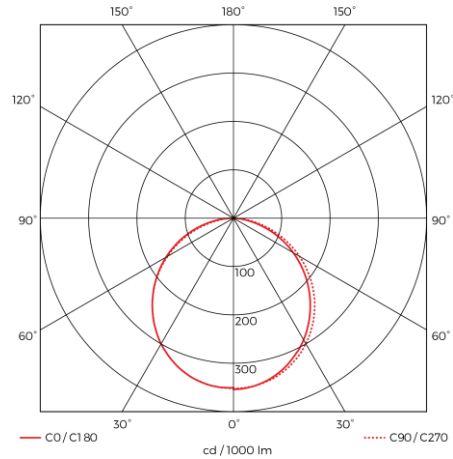
Options & Accessories

Dimming option	PIP36DA40TPA
Emergency option	PIP3640TPAEM

Dimensions



Photometrics



Product Code:	PIP3640TPA
Light Source:	36W LED 4000k
Light Output Ratios:	Up 0.0 Down 100.0 Total 100.00

Classification of Protection

Against electric shock Class 1 protected with earthed metalwork. Against ingress of dust and moisture IP44 Technical Specification.

Standards

The Isla range of luminaires are designed and manufactured to meet the requirements of BSEN 60598 2-1.

Operation

Designed for operation in an interior environment. Ambient temperature range: -10°C to +25°C*.
230-240V 50Hz nominal input voltage.

*In moisture free environments

Specification

A new range of low profile recessed lay in modular luminaires, suitable for use in many interior applications including offices, hospitals, hotels and retail areas. This model is TP(a) rated.

HILCLARE

LIGHTING MANUFACTURER

— LED BY DESIGN —

a  pilot group company

T: 0161 274 3626
F: 0161 274 3731
E: sales@hilclare.com

15 Carnarvon Street
Manchester
M3 1HJ