

Empo

Surface Mounted, Directional



Constructed from white dry powder coated steel body, with twin adjustable spotlights. Suitable for use on escape routes in commercial and industrial areas and hospitals.

Self-test versions available

Separately adjustable twin heads

IP20

Long life solution

Suitable for wall or beam mounting

HILCLARE

LIGHTING MANUFACTURER

— LED BY DESIGN —

a  pilot group company

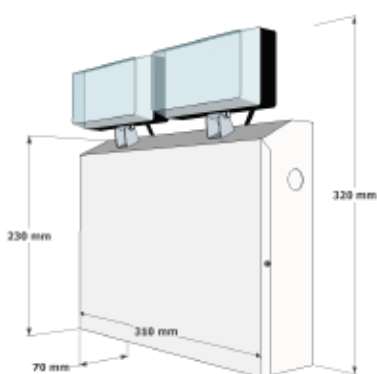
T: 0161 274 3626
F: 0161 274 3731
E: sales@hilclare.com

15 Carnarvon Street
Manchester
M3 1HJ

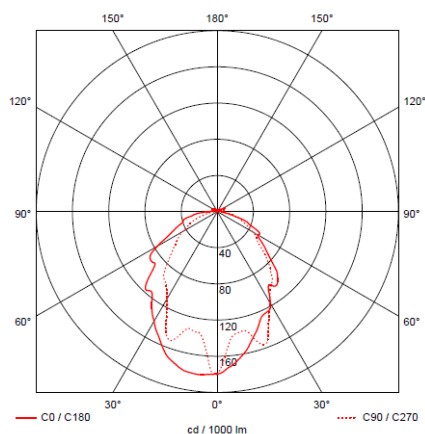
Ordering Information

| | Code | Weight (kg) | Total Watts | Total Lumens | Luminaire Efficacy | IP Rating | Life | Warranty |
|-------|----------|-------------|-------------|--------------|--------------------|-----------|------|----------|
| 16.5W | X-TSE3NM | 8.2 | 16.5 | 1093 | 66 | IP20 | n/a | 2 year |

Dimensions



Photometrics



Classification of Protection

Against electric shock Class 1 protected with earthed metalwork. Against ingress of dust and moisture IP20 Technical Specification.

Standards

The Empo range of luminaires is designed and manufactured to meet the requirements of BSEN 60598 2-22.

Operations

Designed for operation in an interior environment. Ambient temperature range: 0°C to +25°C.
230V 50Hz nominal input voltage.

Specification

Constructed from white dry powder coated steel body, with twin adjustable spotlights. Suitable for use on escape routes in commercial and industrial areas and hospitals.