

# Elmira

## Surface Mounted, Bulkhead



A range of compact, economic, IP65 amenity wall lights with low glare and excellent spacing ratios. Ideal for the illumination of footpaths and walkways around public, commercial and industrial premises.

Black visor to reduce light pollution

Polycarbonate vandal resistant prism lens

Easy access to control gear

Photocell control available

50,000 hours life

# HILCLARE

LIGHTING MANUFACTURER

— LED BY DESIGN —

a  pilot group company

T: 0161 274 3626  
F: 0161 274 3731  
E: [sales@hilclare.com](mailto:sales@hilclare.com)

15 Carnarvon Street  
Manchester  
M31HJ

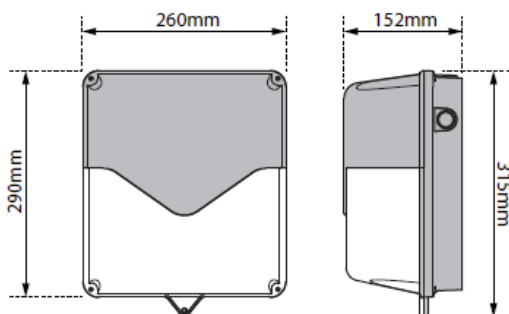
## Ordering Information

	Code	Weight (kg)	Total Watts	Total Lumens	Luminaire Efficacy	IP Rating	Life	Warranty
12W	WLE12T440	2.1	12	1062	75	IP65	50,000hr	5 year
21W	WLE21T440	2.1	21	1822	75	IP65	50,000hr	5 year

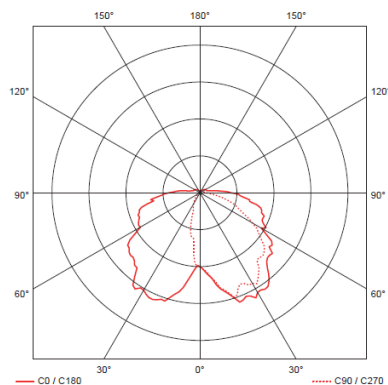
## Code Builder

Emergency - Add EM  
 Self-test emergency - Add STEM  
 Photocell - Add P

## Dimensions



## Photometrics



## Classification of Protection

Against electric shock Class 1 protected with earthed metalwork. Against ingress of dust and moisture IP65 Technical Specification.

## Standards

The Elmira range of luminaires is designed and manufactured to meet the requirements of BSEN 60598 2-1

## Operations

Designed for operation in an exterior environment.  
 Ambient temperature range:  
 0° to +25°C.  
 230V 50Hz nominal input voltage.

## Specification

A range of compact, economic, IP65 amenity wall lights with low glare and excellent spacing ratios. Ideal for the illumination of footpaths and walkways around public, commercial and industrial premises.

Version 1 October 2018

# HILCLARE

LIGHTING MANUFACTURER

— LED BY DESIGN —

a  pilot group company

T: 0161 274 3626  
 F: 0161 274 3731  
 E: sales@hilclare.com

15 Carnarvon Street  
 Manchester  
 M3 1HJ

E&OE