

Cabrito

Canopy, Recessed



Recessed



This light is suitable for use in garage forecourts, car parks and loading bay areas.

Canopy fittings are inclusive of diffuser.

Diffuser options must be specified.

Mild steel phosphate coated gear housing.

IP65 from the front - IP54 from back (recessed).

50,000 hours life.

HILCLARE

LIGHTING MANUFACTURER

— LED BY DESIGN —

a  pilot group company

T: 0161 274 3626
F: 0161 274 3731
E: sales@hilclare.com

15 Carnarvon Street
Manchester
M31HJ

E&OE

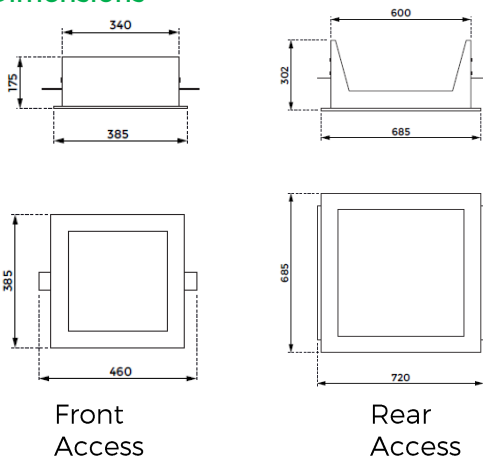
Ordering Information

	Code	Weight (kg)	Total Watts	Total Lumens	Luminaire Efficacy	IP Rating	Life	Warranty
54W	C3R54T4340FCP	9.00	54	7516	131	Front IP65 / Rear IP54	50,000hr	5 year
167W	C6R167HF340FCP	8.96	167	22680	129	Front IP65 / Rear IP54	50,000hr	5 year
167W	C6R167HF340RCP	21.00	167	22680	129	Front IP65 / Rear IP54	50,000hr	5 year

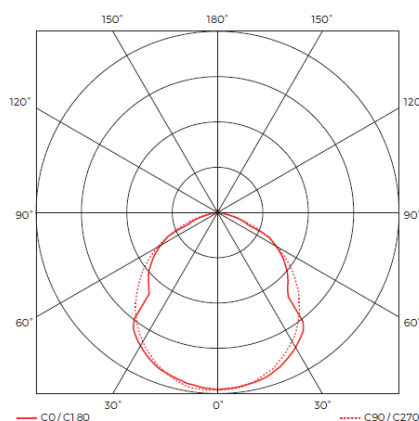
Code Builder

Opal diffuser - Add OP
 Clear polycarbonate - Add CP
 Glass diffuser - Add GLC

Dimensions



Photometrics



Classification of Protection

Against electric shock Class 1 protected with earthed metalwork. Against ingress of dust and moisture IP65 or IP54 Technical Specification, see table above.

Standards

The Cabrito range of luminaires is designed and manufactured to meet the requirements of BSEN 60598 2-1.

Operations

Designed for operation in an exterior covered environment. Ambient temperature range: 0°C to +25°C for all LED versions. 230V 50Hz nominal input voltage.

Specification

This luminaire is ideal for clean room, laboratory, and food preparation areas.

Version 1 October 2018

HILCLARE

LIGHTING MANUFACTURER

— LED BY DESIGN —

a  pilot group company

T: 0161 274 3626
 F: 0161 274 3731
 E: sales@hilclare.com

15 Carnarvon Street
 Manchester
 M3 1HJ

E&OE